



Paulmann

Safety Instructions

1, 2, 3, 4, 5, 6, 7, 8, 9, 11, 12, 15, 16,
19, 20, 22, 23, 24, 26, 28, 33, 34



Info

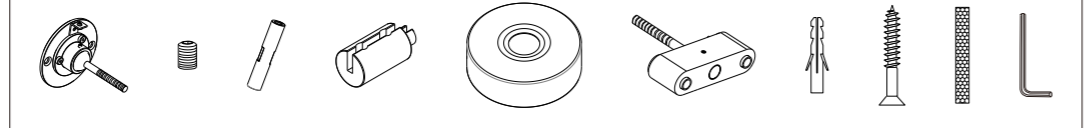
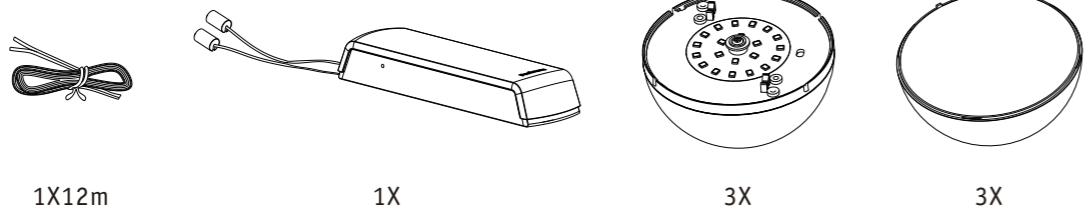
www.paulmann.com

Paulmann Licht GmbH
Quezinger Feld 2
31832 Springe
Germany
www.paulmann.com

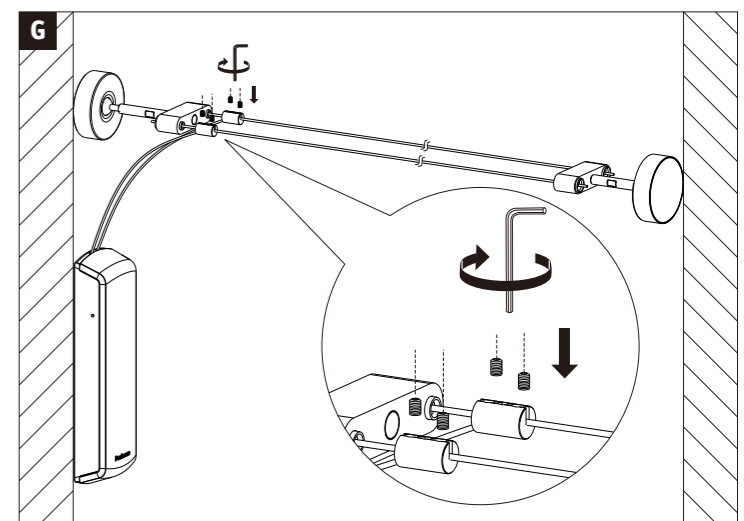
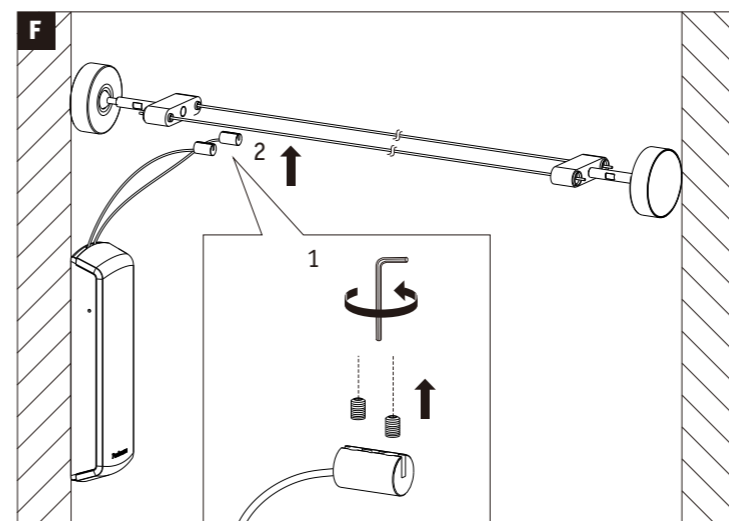
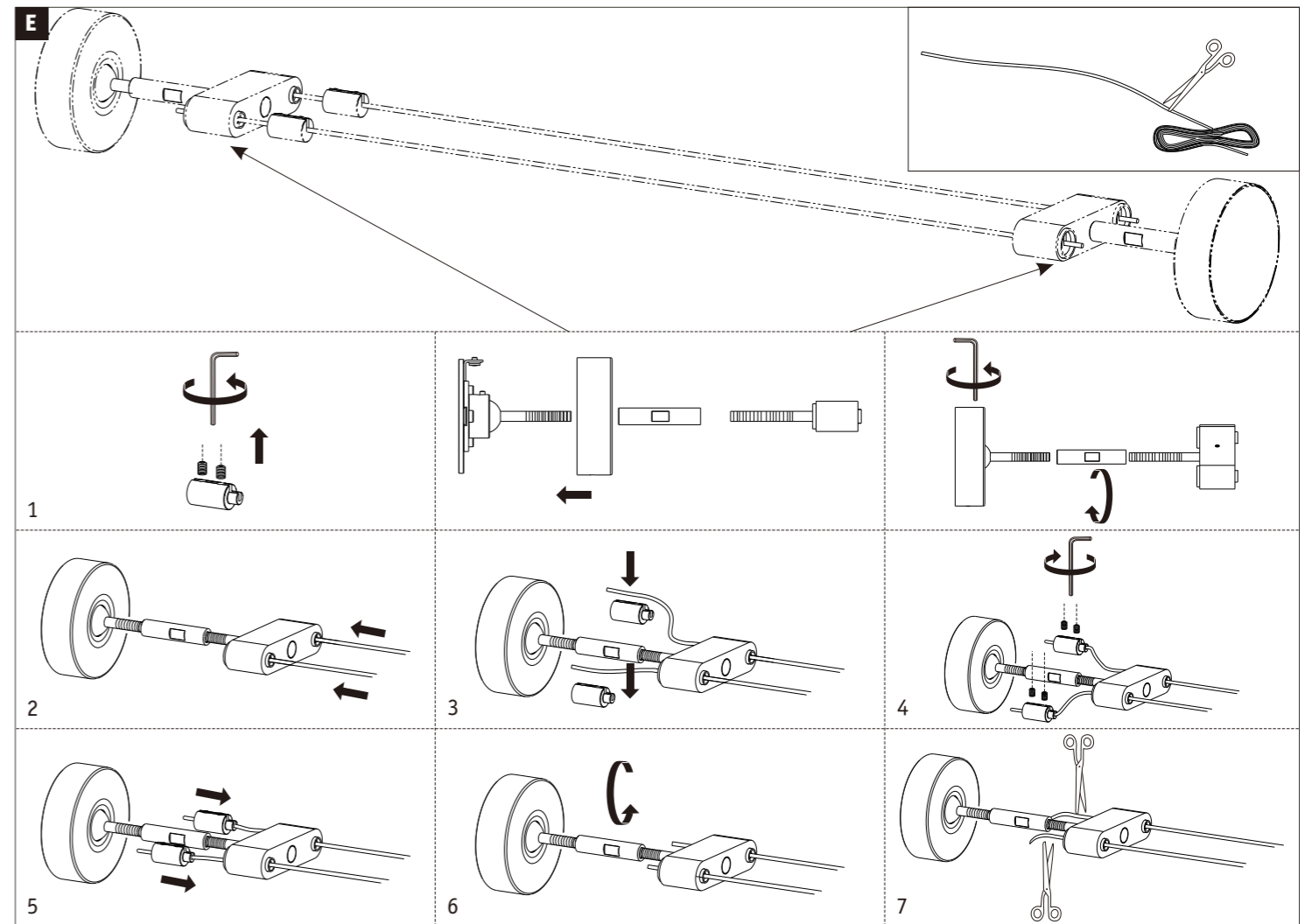
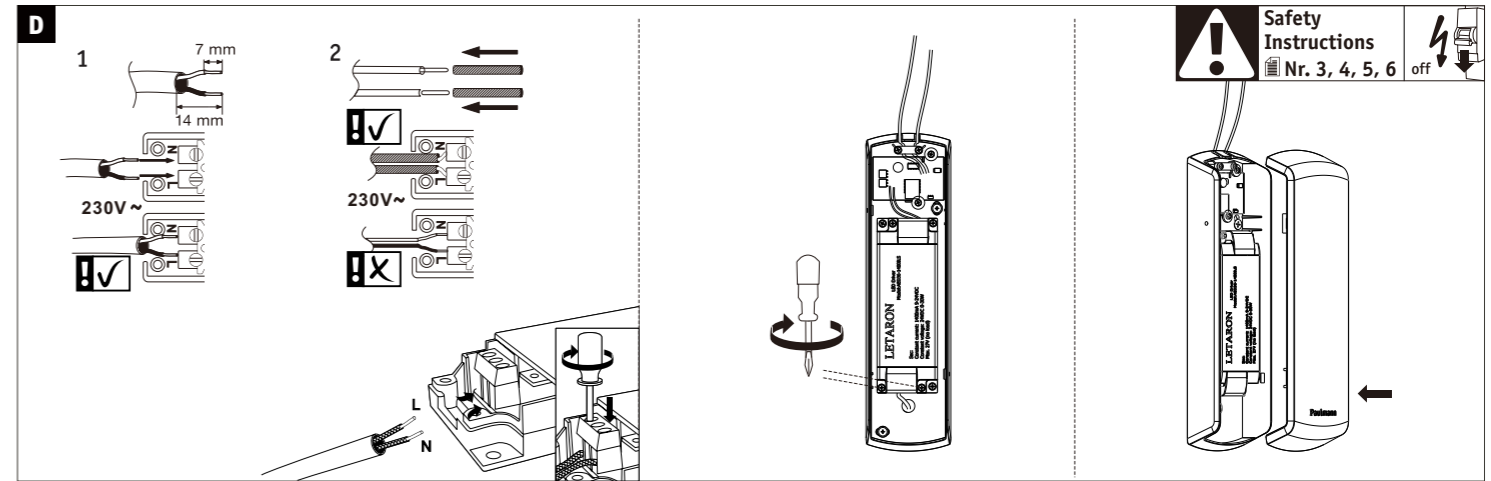
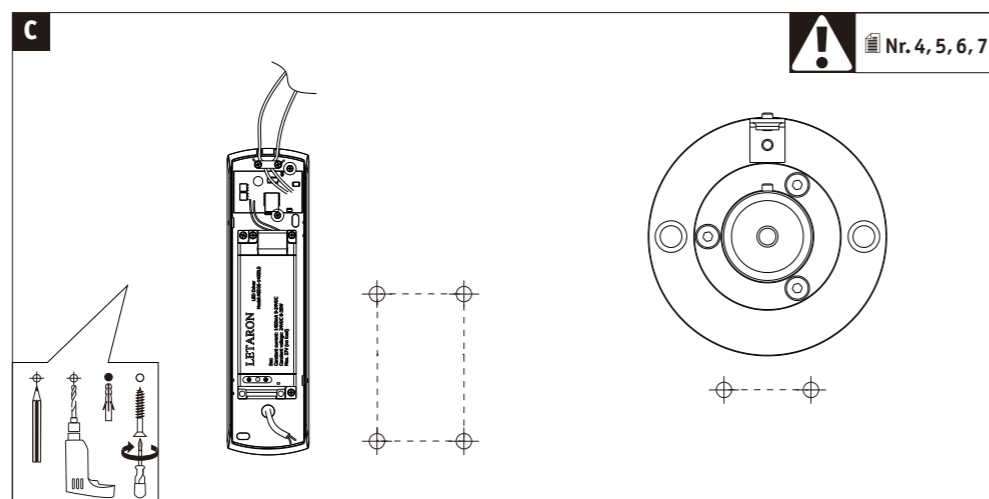
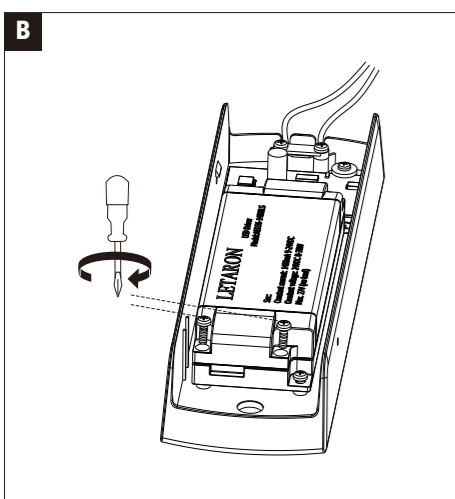
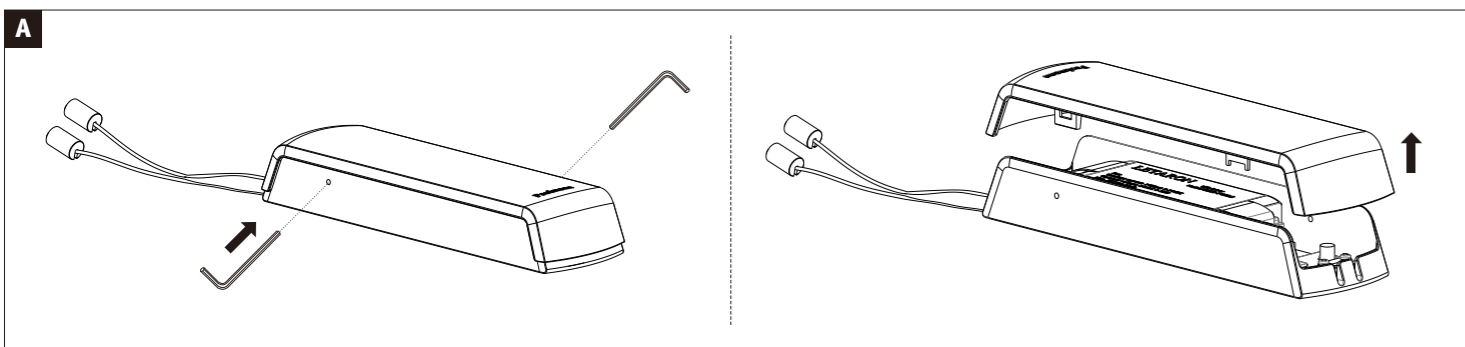
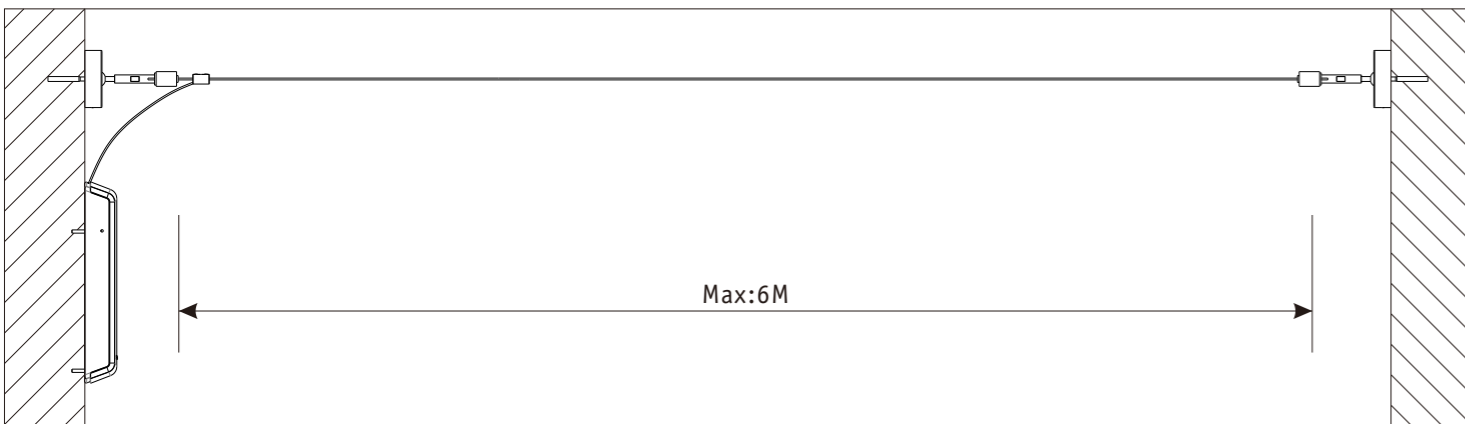
Art.-Nr.: 942.37



(+MA326) PSU 05/18



Incl.



Safety Instructions
Nr. 3, 4, 5, 6

